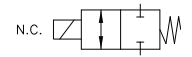


SV81

2-way Normally Closed
Diaphragm Isolation Construction



Valcor General Purpose Series



DESCRIPTION

The SV81 series are direct acting, 2-way, normally closed solenoid valves that utilize a bellows type PTFE diaphragm to seal on a PTFE seat. As a result, this valve series is capable of handling a wide variety of corrosive or high purity media by isolating all metallic components from the media. The direct acting construction yields positive shifting and reliable operations.

APPLICATIONS

The SV81 series diaphragm isolation valve is suitable for a broad range of applications, including:

- Bottle filling
- Waste water handling
- Chemical mixing/dispensing
- Laboratory equipment

FEATURES

- PTFE isolation construction for high purity processes
- Handles aggressive fluids
- No minimum pressure required
- 40 PSI liquid pressure capability
- Large Cv of 3.1

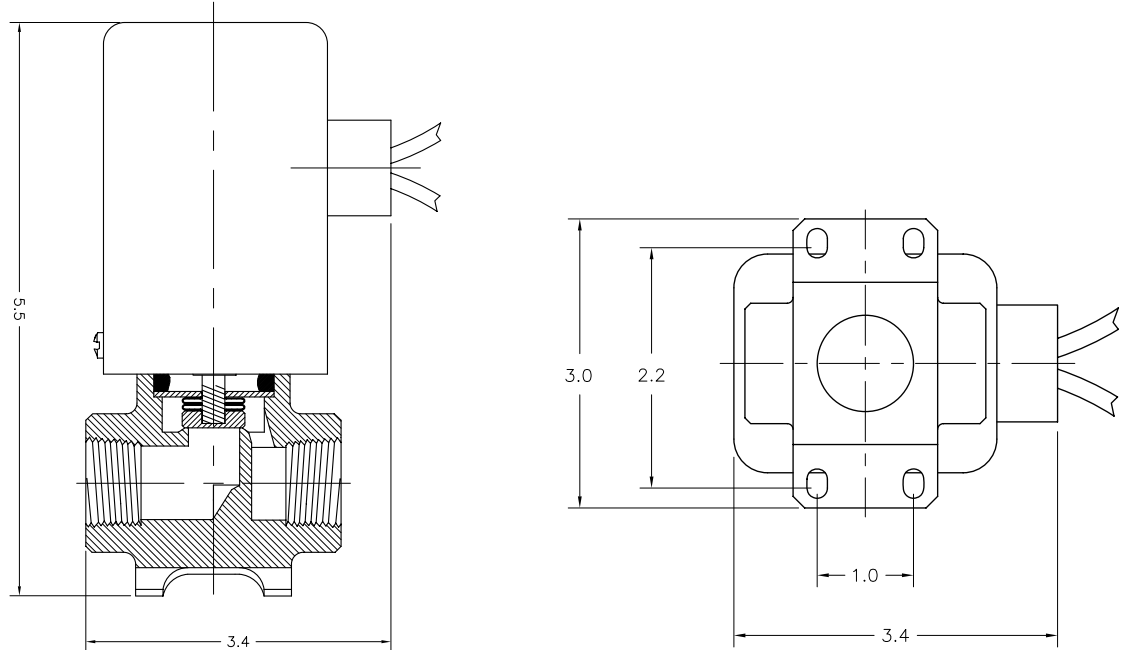


VALCOR SV81 SPECIFICATIONS

Construction

Valve Parts in Contact with Fluid

Body	PTFE
Diaphragm	PTFE



Electrical

Standard voltage	115/60 AC Contact factory for other AC voltages Not available in DC
Coil	UL class H with 10" leads
Standard coil housing	General purpose with 1/2" NPT conduit

Specifications

Port Size (NPT)	Orifice Size (ins.)	C _v	Max. Operating Pressure (PSIG) *		Inlet to atmosphere vacuum at outlet	Model Number	Wattage
			Gas	Liquid			
2-way Normally Closed							
1/2	1/2	3.1	35	30		SV81C18HT3S8-8	23
1/2	1/2	3.1	45	40		SV81C18HT3S8-8HP	23
1/2	1/2	3.1			28" Hg	SV81C18HT3S8-8V	23

* No minimum pressure is required for operation